



techhose

QUALITY CONNECTIONS

Hydraulics

Pneumatics
& Vacuum

Industrial

Compressed Air
& Ring Main

Process &
Instrumentation

Pneumatic & Vacuum

Cartridge & Roundline Cylinders

PNEUMATIC CYLINDER & TRANSMITTERS



Pencil Cylinder

The miniature cylinder with a piston diameter of 3mm is for general-purpose use in testing and other operations in very restricted spaces. Even with its small dimensions the cylinder offers the technical features of the proven series of larger miniature cylinders.



Single Acting

0047	Bore mm	Stroke mm
KU-40.100	3	6
Tech Sheet 10289		

Position Transmitter & Clamp

This unit acts as a 3/2 valve, it can be actuated either by a magnetic cylinder piston or by iron (FE). Use the clamp 33.006 to mount the transmitter onto the cylinder.

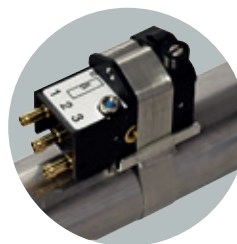
Suitable for sizes 8mm to 100mm. For other applications, the 4mm thread on the other side of the housing can be used.

Medium: Compressed air oil free

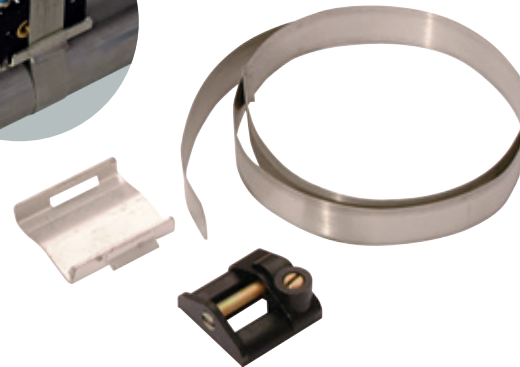
Transmitter not included

Working Temperature:
10° to + 60°C

Working Pressure:
2 to 6 bar



Transmitter
not included



Transmitter, Pneumatic

0047	ID mm
KU-33.21.326	3
Tech Sheet 10290	

Clamp

0047	To Suit
KU-33.006	8mm to 100mm Cylinders
Tech Sheet 10290	



For FT Pro hose reels
see pages 1449-1453



ROUND RNDC CYLINDERS

Double Acting Cylinders

Clean profile cylinders available in different versions

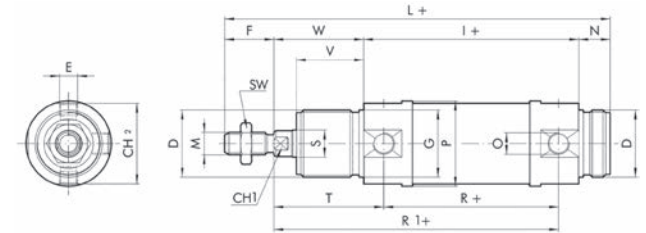
- Configuration with or without magnet
- Single and double acting
- Single or through-rod
- Pneumatic cushioning on request
- Range of gaskets available in NBR, polyurethane and FKM/FPM (for high temperatures)

Technical Specification

- Fluid: unlubricated air (lubrication, if used, must be continuous)
- Sensor magnet: all versions come complete with magnet
- Piston rod material: C45 chrome rod, technopolymmer piston rod
- Piston seal: NBR

° Temperature Range:
10°C to +80°C

Maximum Operating Pressure:
10 bar

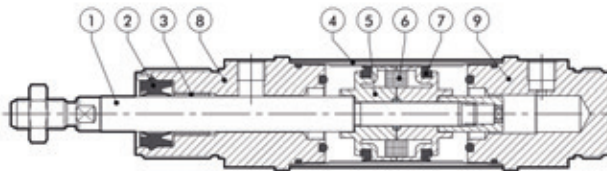


Dimensions

Ø	D	E	F	ØG	CH1	I	L	M	N	O	ØP	R	ØS	SW	T	CH2	V	W	L1
32	M30x1.5	M8x1	22	30	10	96	172	M10x1.25	14	G1/8	38	78	12	17	49	36	30	40	220
40	M38x1.5	M10x1	24	38	13	113	198	M12x1.25	16	G1/4	46	89	16	19	57	43	35	45	251
50	M45x1.5	M12x1.5	32	45	17	120	220	M16x1.5	18	G1/4	57	96	20	24	62	54	38	50	284

Components

1. Piston rod: C45 steel or stainless steel, thick chromed
2. Piston rod gasket: polyurethane, NBR or FKM/FPM
3. Guide bushing: steel strip with bronze and PTFE insert
4. Barrel: drawn anodised aluminium alloy
5. Half-piston: self-lubricating technopolymmer with integrated cushioning olives
6. Magnet: plastroferrite
7. Piston gasket: polyurethane, NBR or FKM/FPM
8. Head: anodised aluminium alloy



Other variants
available
on request



Magnetic & Cushioned

9195	Diameter mm	Stroke mm
1120320025CN	32	25
1120320050CN	32	50
1120320080CN	32	80
1120320100CN	32	100
1120320125CN	32	125
1120320160CN	32	160
1120320200CN	32	200
1120320250CN	32	250
1120400025CN	40	25
1120400050CN	40	50
1120400080CN	40	80
1120400100CN	40	100

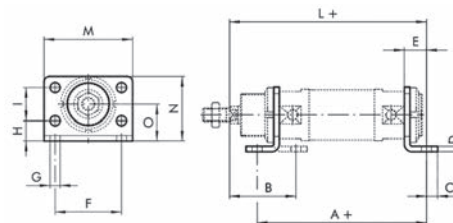
9195	Diameter mm	Stroke mm
1120400125CN	40	125
1120400160CN	40	160
1120400200CN	40	200
1120400250CN	40	250
1120500025CN	50	25
1120500050CN	50	50
1120500080CN	50	80
1120500100CN	50	100
1120500125CN	50	125
1120500160CN	50	160
1120500200CN	50	200
1120500250CN	50	250

ROUND RNDC CYLINDER ACCESSORIES

Foot Mounting

To suit RNDC Cylinders

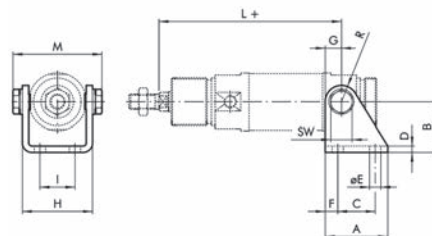
9146	Ø	A	B	C	D	E	F	G	H	I	L	M	N	O
W0950320002	32	124	50	7	4	14	52	7	14	28	150	66	49	28
W0950400002	40	153	60	10	5	20	60	9	18	30	178	80	58	33
W0950500002	50	160	64	10	6	20	70	9	20	40	190	90	70	40



Counter Support

To suit RNDC Cylinders

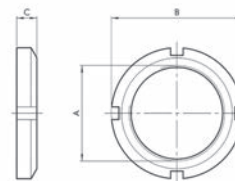
9146	Ø	A	B	C	D	E	F	G	H	I	L	M	R	SW
W0950320005	32	40	35	24	4	7	8	12	46.1	20	127	60	12	13
W0950400005	40	50	40	30	5	9	10	13	57.5	28	146	74	13	17
W0950500005	50	54	45	34	6	9	10	14	69.1	36	158	89	14	19



Head Lock Ring

To suit RNDC Cylinders

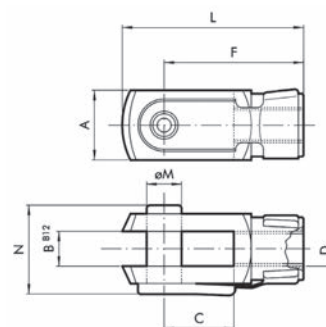
9146	Ø	A	B	C
W0950320010	32	M30 x 1.5	45	7
W0950400010	40	M38 x 1.5	50	8
W0950500010	50	M45 x 1.5	58	9



Fork Clevis

To suit RNDC Cylinders

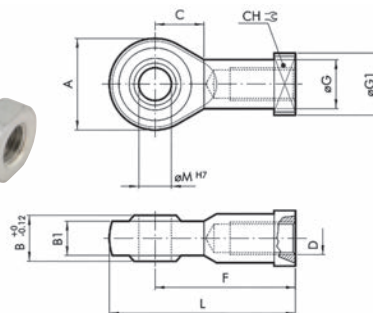
9146	Ø	ØM	A	B	C	L	F	D	N
W0950322020	32	10	20	10	20	52	40	M10 x 1.25	26
W0950402020	40	12	24	12	24	62	48	M12 x 1.25	32
W0950502020	50/63	16	32	16	32	83	64	M16 x 1.5	40



Spherical Rod Eye

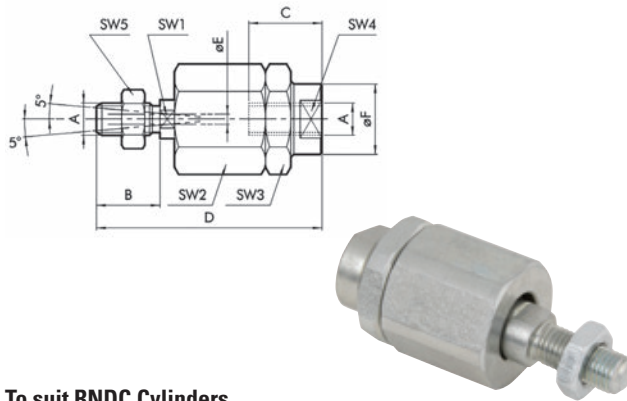
To suit RNDC Cylinders

9146	Ø	ØM	C	B1	B	A	L	F	D	ØG	CH
W0950322025	32	10	15	10.5	14	28	57	43	M10 x 1.25	15	17
W0950402025	40	12	17	12	16	32	66	50	M12 x 1.25	17.5	19
W0950502025	50	16	22	15	21	42	85	64	M16 x 1.5	22	22



ROUND RNDC CYLINDER ACCESSORIES

Articulated Joint



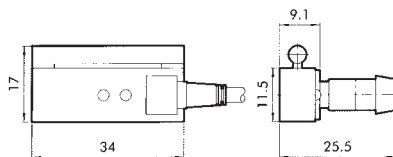
To suit RNDC Cylinders

9146	Ø	A	B	C	D	ØE	ØF	SW1	SW2	SW3	SW4	SW5
W0950322030	32	M10 x 1.25	20	20	71	4	22	12	30	30	19	17
W0950402030	40	M12 x 1.25	24	20	75	4	22	12	30	30	19	19
W0950502030	50	M16 x 1.5	32	32	103	4	32	20	41	41	30	24

Reed Switch & Bracket

Technical Data

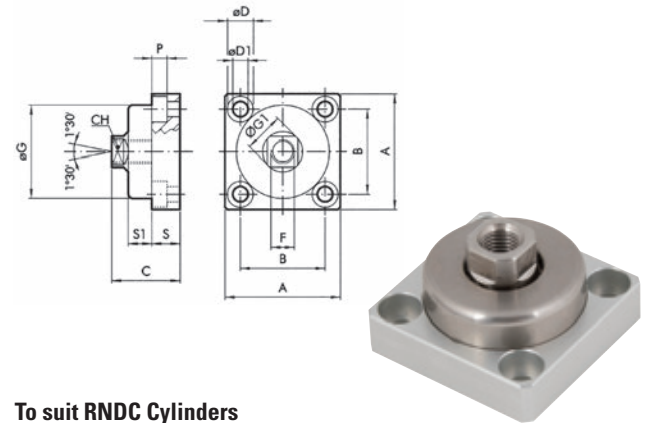
Type		Contact
Maximum AC/DC voltage	V	Reed + varistor + LED 2 wires
		Reed + varistor + LED NO
		220 ISO cylinder
Maximum current at +25°C	mA	1,000
Power with inductive load	VA	15
Power with resistive load	Watt	50
Switch-on time	M sec	1.2



To suit ISO 6432 Cylinders

9146	Description
W0950000201	Reed Switch

Flexible Collar



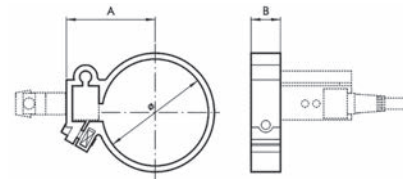
To suit RNDC Cylinders

9146	Ø	A	B	C	CH	ØD	ØD1	F	ØG	ØG1	P	S	S1
W0950326021	32	49	36	30	13	11	6.5	M10 x 1.25	39.5	17	6.5	12	10
W0950406021	40	59	42	36	15	14	8.5	M12 x 1.25	44	19	8.5	15	13.5
W0950506021	50	79	58	44	22	17	10.5	M16 x 1.5	59	26	10.5	20	15

Reed Switch & Bracket

Technical Data

Type		Contact
Switch-off time	M sec	0.1
Cable length		2.5m
Cable material		Soft PVC
Switch-on point	Gauss	110
Switch-off point	Gauss	95
Contact resistance		0.1



To suit RNDC Cylinders

9146	Description
W0950000132	Bracket for RNDC Ø32 Cylinder
W0950000140	Bracket for RNDC Ø40 Cylinder
W0950000150	Bracket for RNDC Ø50 Cylinder

ROUNDLINE CYLINDERS & MOUNTINGS



Roundline Cylinders

- One fifth shorter than the basic length of a corresponding VDMA/ISO cylinder
- Low friction, long life seals
- High strength, double crimped end cap design
- Standard magnetic piston for full control system versatility
- Non-lube operation
- Choice of porting option for compact installation

Medium:

Compressed air, filtered, lubricated or non-lubricated

Operation (Double Acting):

Double acting, buffer cushioning

Piston Rod (Single Acting):

Stainless steel (16 mm bore martensitic, 20 to 40mm bore austenitic)

Piston Rod (Double Acting):

Stainless steel (16mm bore martensitic, 20 to 63mm bore austenitic)

Barrel: Stainless steel (austenitic)

Seals and O-Rings: Nitrile

Wiper: Polyurethane

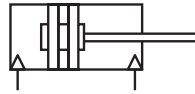
End Covers: Aluminium



Single Acting:



Double Acting:



Working Temperature:
-5°C to +80°C

Working Temperature:
-5°C to +80°C

Working Pressure:
2 to 10 bar

Working Pressure:
1 to 10 bar

Single Acting RT/57100/M, Side Port - Sprung In

0036	Bore mm	Stroke mm	Thread
RT/57116/M/25	16	25	M5
RT/57120/M/25	20	25	Rc 1/8
RT/57125/M/25	25	25	Rc 1/8
RT/57125/M/50	25	50	Rc 1/8
RT/57132/M/50	32	50	Rc 1/8
RT/57140/M/50	40	50	Rc 1/8

Tech Sheet 10315

Single Acting RT/57100/M, Axial Port - Sprung In

0036	Bore mm	Stroke mm	Thread
RT/57116/MC/25	16	25	M5

Tech Sheet 10315

Double Acting RT/57200/M, Side Port - Rear Eye

0036	Bore mm	Stroke mm	Thread
RT/57216/M/25	16	25	M5
RT/57216/M/80	16	80	M5
RT/57220/M/10	20	10	Rc 1/8
RT/57220/M/25	20	25	Rc 1/8
RT/57220/M/100	20	100	Rc 1/8
RT/57225/M/25	25	25	Rc 1/8
RT/57225/M/50	25	50	Rc 1/8
RT/57225/M/80	25	80	Rc 1/8
RT/57225/M/100	25	100	Rc 1/8
RT/57225/M/160	25	160	Rc 1/8
RT/57232/M/25	32	25	Rc 1/8
RT/57232/M/50	32	50	Rc 1/8
RT/57232/M/80	32	80	Rc 1/8
RT/57232/M/100	32	100	Rc 1/8
RT/57232/M/160	32	160	Rc 1/8
RT/57240/M/50	40	50	Rc 1/8
RT/57240/M/80	40	80	Rc 1/8
RT/57240/M/100	40	100	Rc 1/8

Tech Sheet 10315

Double Acting RT/57200/M, Side Port - Flat End

0036	Bore mm	Stroke mm	Thread
RT/57216/MF/10	16	10	M5
RT/57220/MF/50	20	50	Rc 1/8
RT/57225/MF/25	25	25	Rc 1/8
RT/57225/MF/50	25	50	Rc 1/8
RT/57240/MF/80	40	80	Rc 1/8

Tech Sheet 10315

Roundline Mountings



Clevis Foot Mounting

0036	Bore mm
QM/946	16
QM/57025/24	25
QM/57040/24	40

Tech Sheet 10315



Piston Rod Locknut

0036	Bore mm
M/P1501/60	20
M/P1501/89	25 & 32
M/P1501/90	40

Tech Sheet 10315



Female Piston Rod Clevis

0036	Bore mm
QM/57016/25	16
QM/57020/25	20
QM/57025/25	25
QM/57032/25	32

Tech Sheet 10315



Piston Rod Eye

0036	Bore mm
QM/8040/32	40

Tech Sheet 10315



Switch Mounting Bracket (QM33)

0036	Bore mm
QM/33/032/22	32
QM/33/040/22	40

Tech Sheet 10315